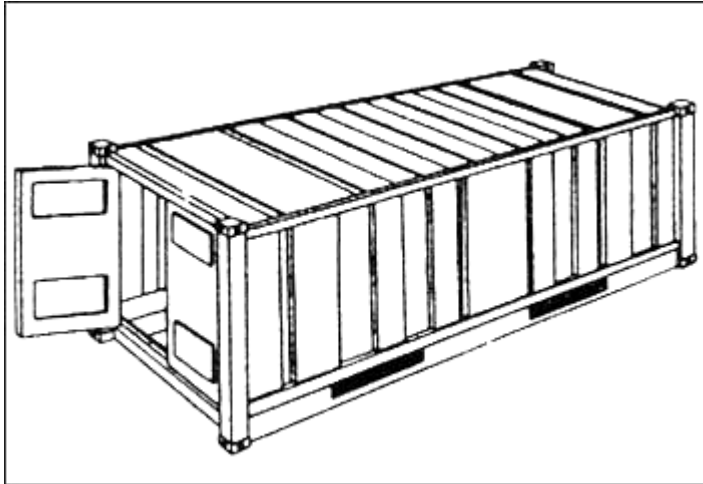




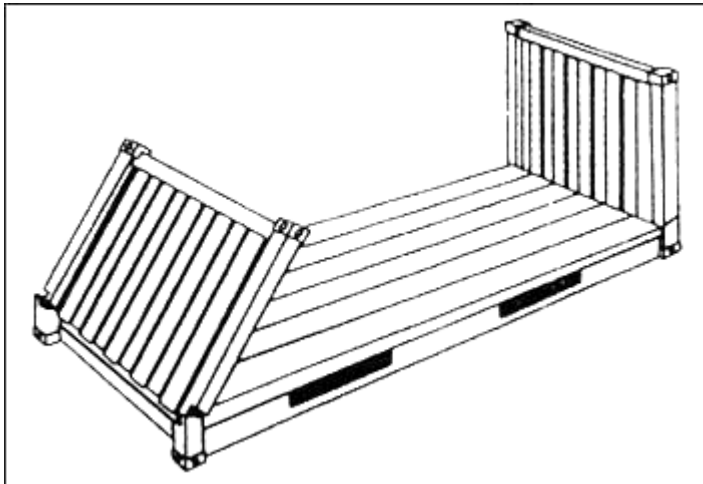
P.E.S.T.

Pest Education Services & Training
SEA CONTAINERS



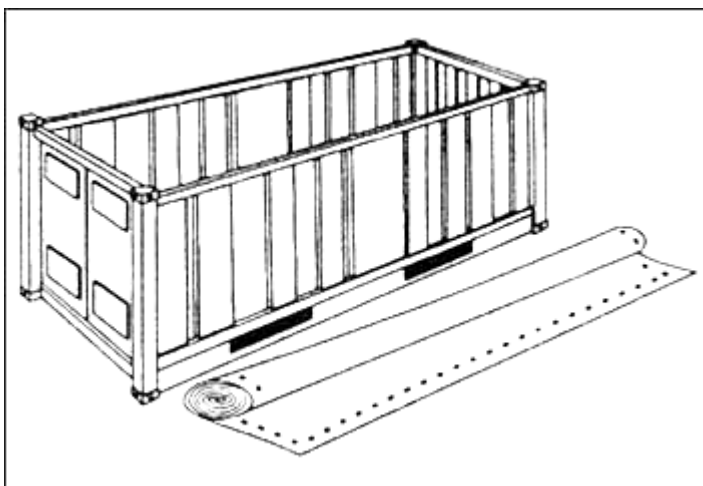
40 FOOT REEFER

INSIDE LENGTH	11.493 m
INSIDE WIDTH	2.270 m
INSIDE HEIGHT	2.197 m
DOOR WIDTH	2.282 m
DOOR HEIGHT	2.155 m
CAPACITY	57.8 Cu. m
TARE WEIGHT	4,360 kg
MAXI CARGO	26,120 kg



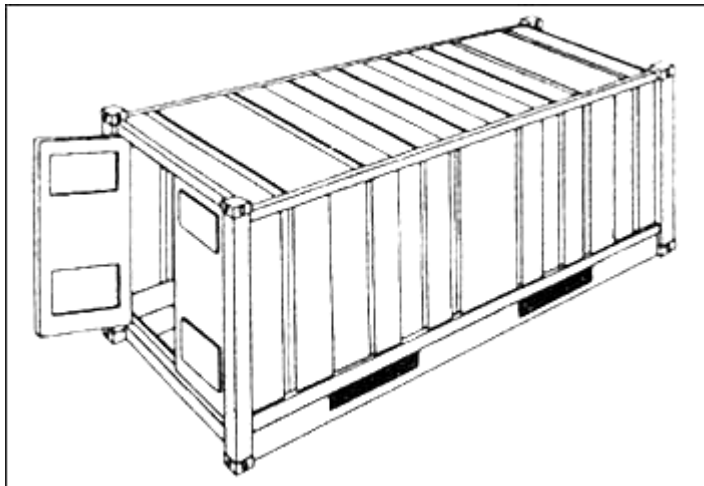
FLAT RACK COLLAPSIBLE 40 FOOT (STAK BED)

INSIDE LENGTH	12.080 m
INSIDE WIDTH	2.126 m
INSIDE HEIGHT	2.043 m
DOOR WIDTH	-
DOOR HEIGHT	-
CAPACITY	-
TARE WEIGHT	5,800 kg
MAXI CARGO	29,200 kg



OPEN TOP 40'

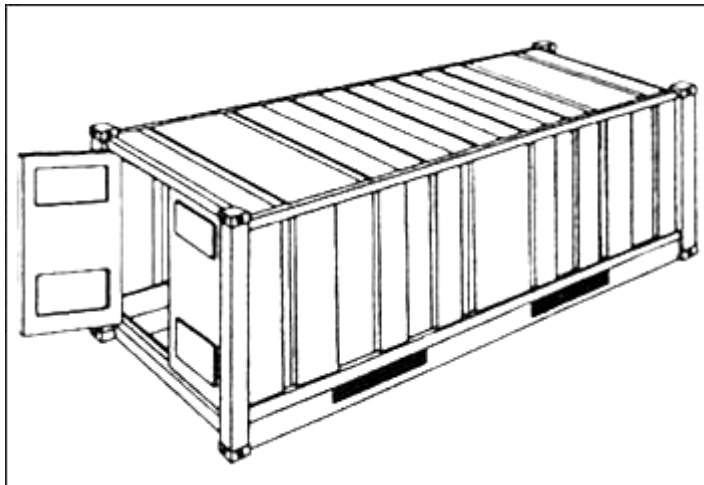
INSIDE LENGTH	12.0283 m
INSIDE WIDTH	2.350 m
INSIDE HEIGHT	2.345 m
DOOR WIDTH	2.341 m
DOOR HEIGHT	2.274 m
CAPACITY	65.5 Cu. m
TARE WEIGHT	3,850 kg
MAXI CARGO	26,630 kg



20 FOOT HIGH CUBE

TARE WEIGHT	2,600 kg
MAX PAYLOAD	27,400kg
MAX GROSS	30,000 kg
INTERIOR LENGTH	5,927 mm
INTERIOR WIDTH	2,372 mm
INTERIOR HEIGHT	2,708 mm <i>(from floor to roof)</i>
DOOR WIDTH	2,294 mm
DOOR HEIGHT	2,618 mm

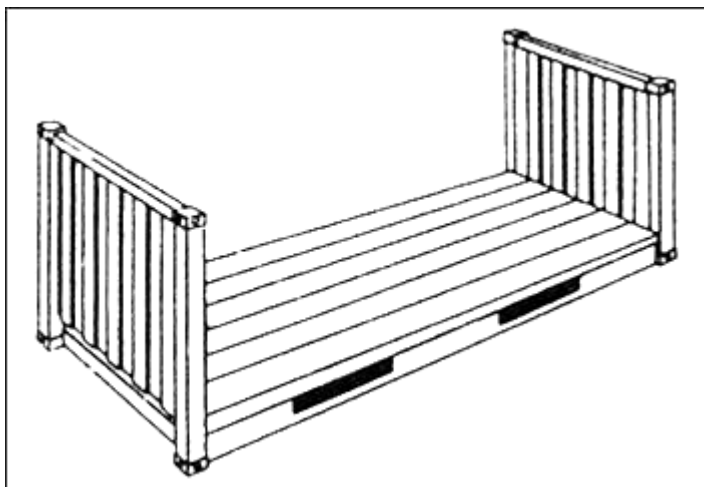
Food quality also available



20 FOOT GENERAL

TARE WEIGHT	2,550 kg
MAX PAYLOAD	27,930 kg
MAX GROSS	30,480 kg
INTERIOR LENGTH	5,897 mm
INTERIOR WIDTH	2,350 mm
INTERIOR HEIGHT	2,393 mm <i>(from floor to roof)</i>
DOOR WIDTH	2,341 mm
DOOR HEIGHT	2,277 mm

Food quality also available



20 FOOT FLATRACK

TARE WEIGHT	2,560 kg
MAX PAYLOAD	27,920kg
MAX GROSS	30,480 kg
INTERIOR LENGTH	5,950 mm
INTERIOR WIDTH	2,378 mm
INTERIOR HEIGHT	2,233 mm <i>(from floor to top casting)</i>
DOOR WIDTH	2,341 mm
DOOR HEIGHT	2,277 mm

General Purpose Containers

Characteristics

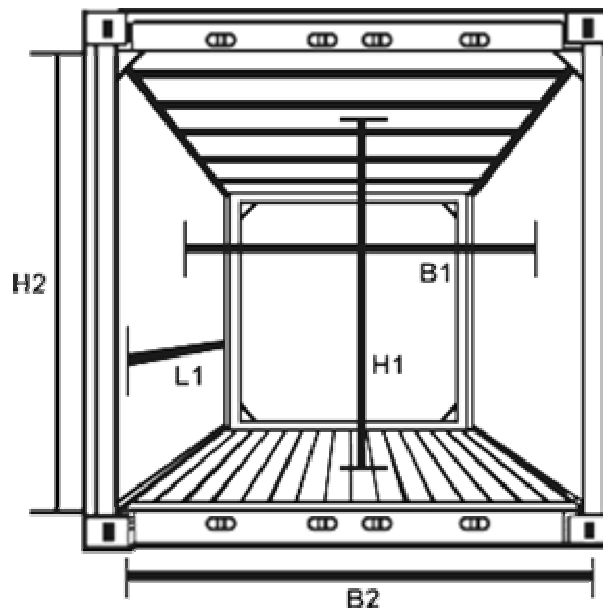
As the name suggests this closed container is suitable for the carriage of all types of general cargo, and with suitable temporary modification for the carriage of bulk cargoes, both solid and liquid, (for more information please see the relevant sections under 'Loading Containers')

The containers are basically a steel framework with steel cladding; in all cases the floors are either hardwood timber planked or plywood sheeted. Access for loading and unloading is through full width doors.

Cargo securing/lashing points are located at floor level at the base of the sidewalk (generally Spar side in 20' and 5 per side in 40, containers all with a safe Working Load of 2032kgs each).

Tare, Payload and Gross Weights

The tare weights of containers vary, therefore no absolute figure is quoted for payload, but it should be mentioned that the containers fleet of 20' General Purpose containers have a maximum gross weight of between 22,860 and 30,480kgs. All 40' GP containers have a maximum gross weight of 30,480kgs. However very careful consideration must be given to the maximum weight limits acceptable in the country of origin and destination.



20ft x 8ft x 8ft 5in UNITS 6.1m x 2.4m x 2.6m					
Average Interior Dimensions			Door Dimensions		Cubic Capacity Average
L1	B1	H1	B2	H2	
5890mm	2345mm	2300mm	2335mm	2290mm	33.3m ³
Tare weights vary between 1800kg and 2500kg.					
40ft x 8ft x 8ft 6in UNITS 12.2m x 2.4m x 2.6m					
Average Interior Dimensions			Door Dimensions		Cubic Capacity Average
L1	B1	H1	B2	H2	
12.015mm	2345mm	2362mm	2335mm	2260mm	66.9m ³
Tare weights vary between 3700kg and 4380kg. Gross weight is 30,480kg.					